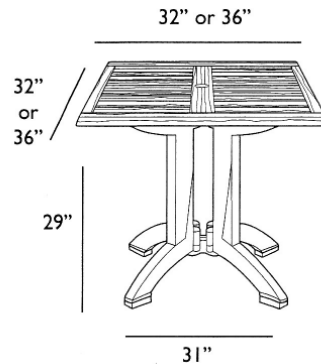




36" Square Atlanta Wicker Decor Table

- *Simulated wicker molded melamine grain top with bronze mist satin finish base only.*
- 46.30 Lbs.
- 36" Square x 29"H.
- 100% Resin pedestal base.
- 1 1/2" diameter umbrella hole with plug.
- UV Resistant.
- Masterpack of 1.
- Leg leveler on one leg.
- UV inhibitors.
- *\$50.00 charge for orders under \$500.00.*
- Some assembly required.

Item #: GR 36SUSQ



NATIONAL OUTDOOR FURNITURE, INC.

1210 W. Main Street #296. Riverhead, NY 11901
Toll-Free Phone: 1-888-663-4621
Phone: 631-369-9099 Fax: 631-207-8312
Email: nofinc@optonline.net
www.nationaloutdoorfurniture.com

NATIONAL OUTDOOR FURNITURE, INC.

144 Murdock Road #325 Pomfret Center, CT 06259
Toll-Free Phone: 1-888-516-8873
Phone: 1-860-974-1551 Fax: 516-706-1901
Email: nofinc@earthlink.net
www.nationaloutdoorfurniture.com